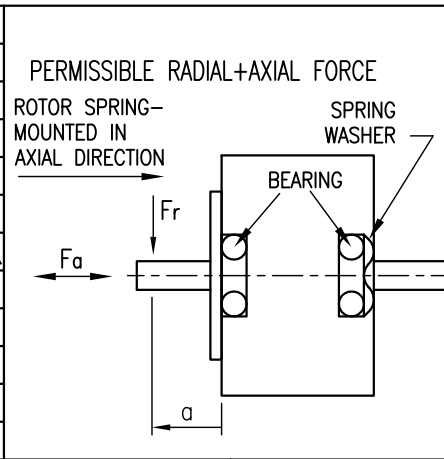


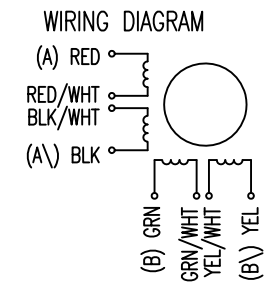
SPECIFICATION	CONNECTION	UNIPOLAR OR BIPOLAR-1 WINDING	BIPOLAR	
			SERIAL	PARALLEL
VOLTAGE (VDC)		5.03		
AMPS/PHASE		6.7	4.7	9.5
RESISTANCE/PHASE (Ohms)@25°C		0.75±15%	1.5±15%	0.375±15%
INDUCTANCE/PHASE (mH) @1KHz		4.9±20%	19.6±20%	4.9±20%
HOLDING TORQUE (Nm) [lb-in]		8.5 [75.2]	12 [106]	12 [106]
DETENT TORQUE (Nm) [lb-in]		0.285 [2.522]		
STEP ANGLE (°)		1.8		
STEP ACCURACY (NON-ACCUM)		± 5%		
ROTOR INERTIA (Kg-m <sup>2</sup> ) [lb-in <sup>2</sup> ]		4.0x10 <sup>-4</sup> [1.37]		
WEIGHT (Kg) [lb]		5.4 [11.9]		



UNIPOLAR	TYPE OF CONNECTION (EXTERN)			MOTOR	
	1WINDING	BIPOLAR SERIAL	BIPOLAR PARALLEL	LEADS	WINDING
A	A	A	A	RED	A
COM				RED/WHT	
A\		A\	A\	BLK/WHT	A\
B	B	B	B	BLK	B
COM				GRN	
B\		B\	B\	GRN/WHT	B\
				YEL/WHT	
				YEL	

FULL STEP 2 PHASE-Ex., WHEN FACING MOUNTING END (X)

STEP	A	B	A\	B\	CCW	CW
1	+	+	-	-	↓	↑
2	-	+	+	-	↓	↑
3	-	-	+	+	↓	↑
4	+	-	-	+	↓	↑



TEMPERATURE RISE: MAX.80°C (MOTOR STANDSTILL; FOR 2 PHASE ENERGIZED)	AXIAL-FORCE Fa (N)	Fa=65			
AMBIENT TEMPERATURE -20~ 50°C [-4°F ~ 122°F]	DISTANCE a (mm)	5	10	15	20
INSULATION RESISTANCE 100 MOhm (UNDER NORMAL TEMPERATURE AND HUMIDITY)	RADIAL-FORCE Fr (N)	535	355	256	200
INSULATION CLASS B 130° [266°F]			AXIAL		RADIAL
DIELECTRIC STRENGTH 500VAC FOR 1 MIN. (BETWEEN THE MOTOR COILS AND THE MOTOR CASE)	SHAFT PLAY (mm)		0.075		0.025
AMBIENT HUMIDITY MAX. 85% (NO CONDENSATION)	AT LOAD MAX: (N)		10		5.0

8	REMOVE TEXT	03.03.15	A.S.
7	HOLDING TORQUE	16.10.14	A.S.
6	BIPOL. HOLD. TORQUE	18.07.14	J.D.
REV	DESCRIPTION	DATE	APVD

**Nanotec**  
PLUG & DRIVE

ST8918D6708-B

SCALE FREE	APVD	<i>S.Ha.</i>	11.11.08
X ±0.5	CHKD		
1PL ±0.2	DRN	<i>J.W.</i>	11.11.08
2PL ±0.1	SIGNATURE		
ANGLE ±30'			

**STEPPING MOTOR**

DWG.NO ST8918D6708-B